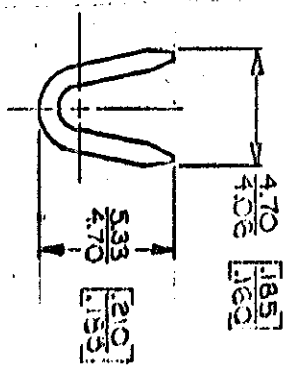
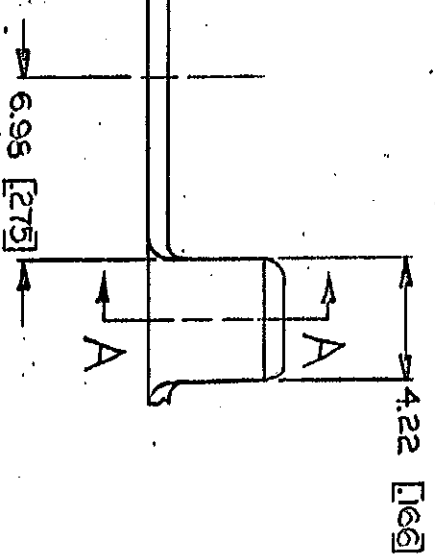
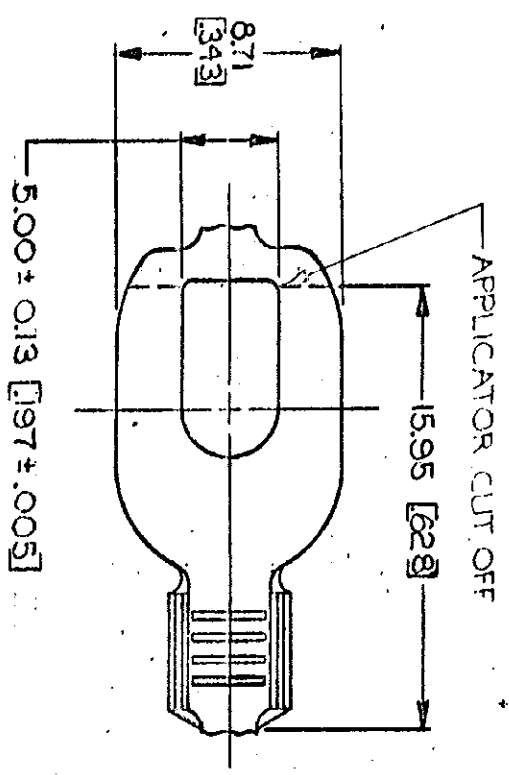


© COPYRIGHT 1965 BY AMP INCORPORATED, HARRISBURG, PA.  
 ALL INTERNATIONAL RIGHTS RESERVED. AMP INCORPORATED PRODUCTS  
 COVERED BY U. S. AND FOREIGN PATENTS AND/OR PATENTS PENDING.

REVISIONS						
P	F	ZONE	LTR	DESCRIPTION	DATE	APPROVED
1			J	REDRAWN & REVISED A-3-4-68	4/1/68	
2			K	REWORKED - 1	AF-1556	6/10/68



SECT. A-A

1. CONTINUOUS STRIP ON REELS
2. DIMENSIONS IN BRACKETS ARE IN INCHES.

**METRIC**

STUD SIZE	#10	WIRE RANGE	08-2.0 mm <sup>2</sup> [8-14]	FINISH	NONE TIN	MATERIAL	0.76 [030] BRASS	PART NO	40521-1 40521
	UNLESS OTHERWISE SPECIFIED DIMENSIONS ARE IN MILLIMETERS TOLERANCES ON DIMENSIONS ARE AS FOLLOWS: ANGLES ±1°		CONTRACT NO		DR <i>[Signature]</i> 5/3/78		DR <i>[Signature]</i> 7/19/78		APPROV <i>[Signature]</i> 8-1-78
MATERIAL	SEE TABLE						SPADE		
FINISH	SEE TABLE								
SIZE	B	CODE IDENT NO	00779	DRAWING NO	40521				

**CUSTOMER DRAWING**

DUPLICATE ORIGINAL LOST  
2-20-81